

 OXFORD

# ATLAS



**advanced**  
RIDER SERIES



013117 6

No parking  
This is a no smoking area

RVD

DUCATI

Brembo

# ATLAS

## ***MODULAR LUGGAGE***

The best luggage allows you to explore wherever, whenever.

Our range-topping **ATLAS** modular luggage range can take you to the shops or around the globe.

Your kit will stay dry and be easy to access thanks its **WATERPROOF CONSTRUCTION**.

If you need to expand or contract your carrying capacity, you can quickly add or subtract a bag using its **MODULAR LUGGAGE SYSTEM**.

When you want to grab everything quickly off the bike and make a dash for it, you can rely on its **UNIVERSAL FAST FIT**.

And, because it's built to last, we offer the peace of mind that comes with a **LIFETIME GUARANTEE**.



## **WATERPROOF CONSTRUCTION**

Internal waterproof compartment can be fully removed, or even doubled up to keep contents separated.

- Additional waterproof inserts can be added (available separately in 10L, 20L or 30L)
- Four turns of the roll-top construction create an airtight seal
- Water resistant outer pockets feature YKK® AQUAGUARD® zippers
- Wipe clean Hypalon® fabric in main wheel spray zones

*Hypalon is a registered trademark of E.I. duPont de Nemours and company or its affiliates*





## ***MODULAR LUGGAGE SYSTEM***

Use 1, 2, 3, 4 or even 5 bags together to create the capacity you need.

- Main compartments are always accessible even whilst mounted to your bike
- Four adjustable compression straps per bag to ensure load stability
- Up to 70L volume/15kg combined maximum weight capacity



## LIFETIME GUARANTEE

We draw on a lifetime of experience in motorcycle luggage. Indeed, our very first product back in 1973 was a top box... tough, secure, watertight, no-nonsense.

Today our luggage range is huge, varied and endlessly versatile, but remains true to the simple charms of that first top box. Built to last.

We are so confident of the quality of ATLAS modular luggage that we guarantee it against faulty materials or manufacture for life!

The guarantee is only offered to the original purchaser when bought from an authorised Oxford stockist, so keep your purchase receipt.

*\*Full details can be found on our website.*





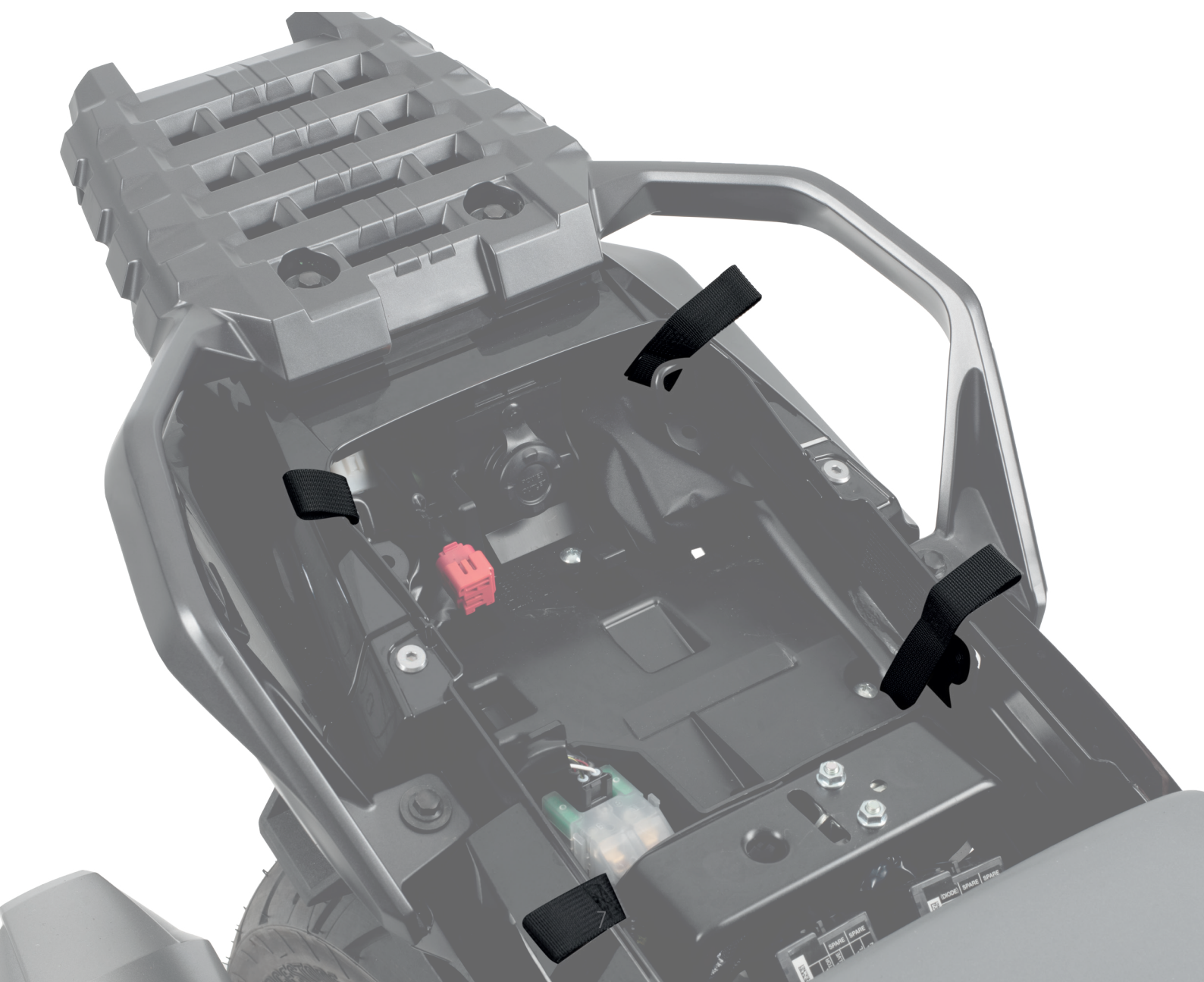
## ***UNIVERSAL FAST FIT***

Because you don't want to waste good riding time fitting your luggage every time you venture out, we have devised the most user-friendly **UNIVERSAL FAST FIT** attachment system.

You will probably want to spend a little time working out the perfect set-up for your bike first time around, but after that you will be able to attach and detach however many bags you use in a matter of seconds.

Even better, everything you need (and more) is provided with the bags as standard.

Classic Oxford... always making life on bikes better!







# ATLAS TOUR PACKS



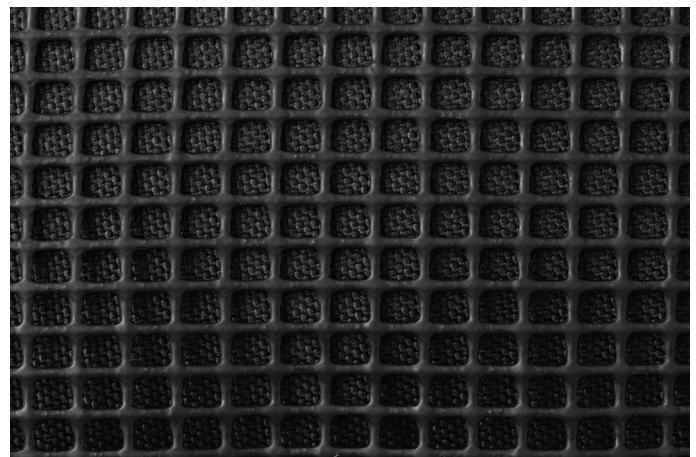
MODULAR  
SYSTEM



WATERPROOF  
CONSTRUCTION



UNIVERSAL  
FAST FIT



## FEATURES

- LIFETIME GUARANTEE\*
- Duraflex® buckles and tri-glide adjustment sliders
- Aluminium alloy G-hooks
- YKK® AQUAGUARD® zippers with TPU pullers
- 3-point adjustable roll top opening
- Under seat security strap
- Detachable shoulder strap for portability
- Grab handles at the top, bottom and sides

## STORAGE

- PU coated mesh side pocket for drying kit (T20, T30 only)
- Quick access side pocket (T20, T30 only)
- Quick access top pocket
- Contrast lining to improve pocket internal visibility
- 100% waterproof main compartment (fully detachable)

## FABRICS

- Zoned 420D PU backed polyester ripstop for flexibility and compactness
- 1000D PU backed polyester
- 1mm Hypalon® underside for durability
- 0.6mm Hypalon® front panel
- Reflective components

## INCLUDED

- 4 x Connector G-Hook Loop
- 2 x Central Connection Strap
- 2 x Left G-Hook Connection Straps
- 2 x Right G-Hook Connection Straps
- 1 x Security Strap
- 1 x Shoulder Strap
- 1 x Dry Liner
- User information & fitting instructions

\* Against faulty materials or manufacture. Excludes reasonable wear & tear. This does not affect your statutory rights.

\*\* Additional dry bags sold separately





No Smoking

No Smoking

# ATLAS TOUR PACKS



MODULAR  
SYSTEM



WATERPROOF  
CONSTRUCTION



UNIVERSAL  
FAST FIT



**T-30**  
30 LITRES

BLACK 0L00201  
CHARCOAL / BLACK 0L00202



**T-20**  
20 LITRES

BLACK 0L00101  
CHARCOAL / BLACK 0L00102



**T-10**  
10 LITRES

BLACK 0L00501  
CHARCOAL / BLACK 0L00502



# ATLAS BACKPACKS



MODULAR  
SYSTEM



WATERPROOF  
CONSTRUCTION



UNIVERSAL  
FAST FIT



## FEATURES

- LIFETIME GUARANTEE\*
- Magnetic Speed Lock Sternum Strap
- Duraflex® buckles and tri-glide adjustment sliders
- Aluminium alloy G-hooks
- YKK® AQUAGUARD® zippers with glove-friendly pullers
- 3-point adjustable roll top opening
- Under seat security strap (for use when attached to the motorcycle as a tail pack)
- Ergonomic shoulder straps for freedom of movement
- 4-point adjustable shoulder straps
- Detachable waist strap
- Direct vent system creates a breathable back channel

## FABRICS

- Zoned 420D PU backed polyester ripstop for flexibility and compactness
- 1000D PU backed polyester
- 1mm Hypalon® underside for durability
- 0.6mm Hypalon® front panel
- Reflective components on the front and rear
- 3D mesh back and shoulder strap panels

## STORAGE

- PU coated mesh side pocket for drying kit
- Quick access rear and side pockets
- Contrast lining to improve pocket internal visibility
- Detachable 100% waterproof lining
- Discreet, easy access motorway pass/ credit card pocket
- Hydration bladder pocket with tube routing

## INCLUDED

- 4 x Connector G-Hook Loop
- 2 x Central Connection Strap
- 2 x Left G-Hook Connection Straps
- 2 x Right G-Hook Connection Straps
- 1 x Security Strap
- 1 x Shoulder Strap
- 1 x Dry Liner
- User information & fitting instructions

\* Against faulty materials or manufacture. Excludes reasonable wear & tear. This does not affect your statutory rights.

\*\* Additional dry bags sold separately





# ATLAS BACKPACKS



MODULAR  
SYSTEM



WATERPROOF  
CONSTRUCTION



UNIVERSAL  
FAST FIT



**B-30**  
30 LITRES

BLACK 0L00401  
CHARCOAL / BLACK 0L00402



**B-20**  
20 LITRES

BLACK 0L00301  
CHARCOAL / BLACK 0L00302







# ATLAS STRAPS

## ADJUSTABLE SELF-TENSIONING STRAPS

Stronger and much safer than a bungee, Oxford's Atlas Straps are adjustable self-tensioning straps.



Adjustable length



Extra strong construction



Durable elasticated straps

### G-HOOK

BLACK

- 17mm x 1.2mm OX300
- 17mm x 2.0mm OX303
- 26mm x 1.2mm OX306
- 26mm x 2.0mm OX309



### B-CLIP

BLACK

- 17mm x 1.2mm OX312
- 17mm x 2.0mm OX315
- 26mm x 1.2mm OX318
- 26mm x 2.0mm OX321



ASPHALT

- 17mm x 1.2mm OX313
- 17mm x 2.0mm OX316
- 26mm x 1.2mm OX319
- 26mm x 2.0mm OX322

LICHEN

- 17mm x 1.2mm OX314
- 17mm x 2.0mm OX317
- 26mm x 1.2mm OX320
- 26mm x 2.0mm OX332

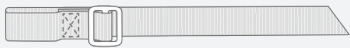


# ATLAS

## HOW TO USE

### BIKE CONNECTORS INCLUDED:

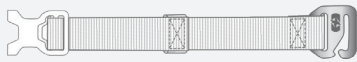
- A** 20mm Connector G-Hook Loops (x4)



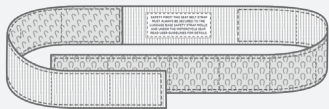
- B** 25mm Central Connection Straps (x2)



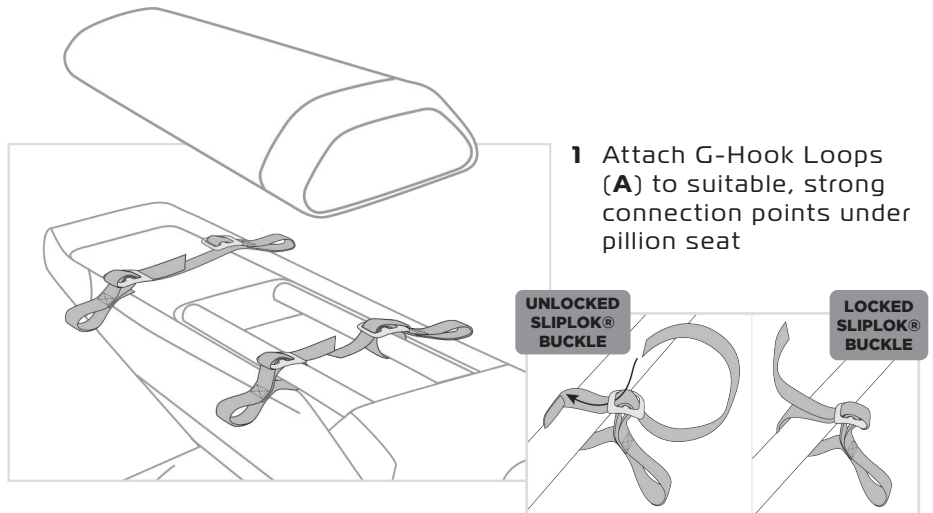
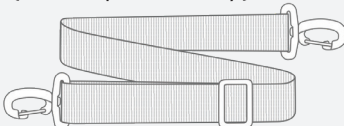
- C** 25mm G-Hook Connection Straps (x2 right & x2 left)



- D** 38mm Security Strap (x1)

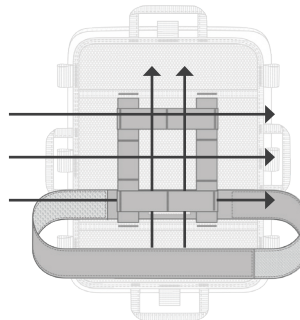


- E** 38mm Shoulder Strap (x1 Tail packs only)

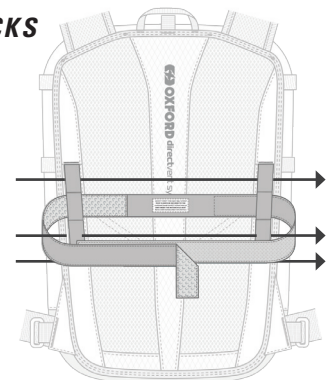


- 2** Attach the Security Strap (**D**) through the Molle on the base of your Atlas pack. The Atlas packs have a variety of Molle threading positions to allow the optimal positioning for the Security Strap

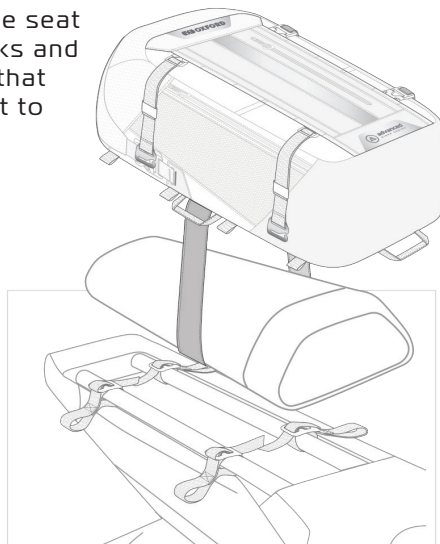
#### TOUR BAGS



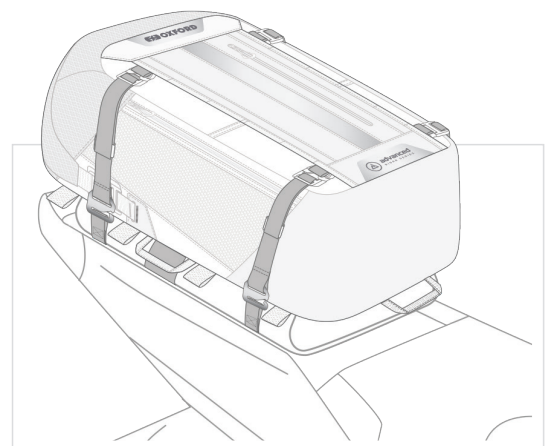
#### BACKPACKS



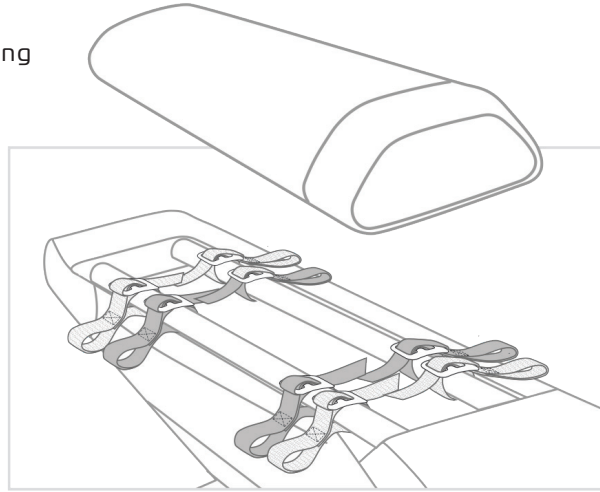
- 3** Connect the Security Strap (**D**) under the seat avoiding the seat connection hooks and locking system that secures the seat to the motorcycle.



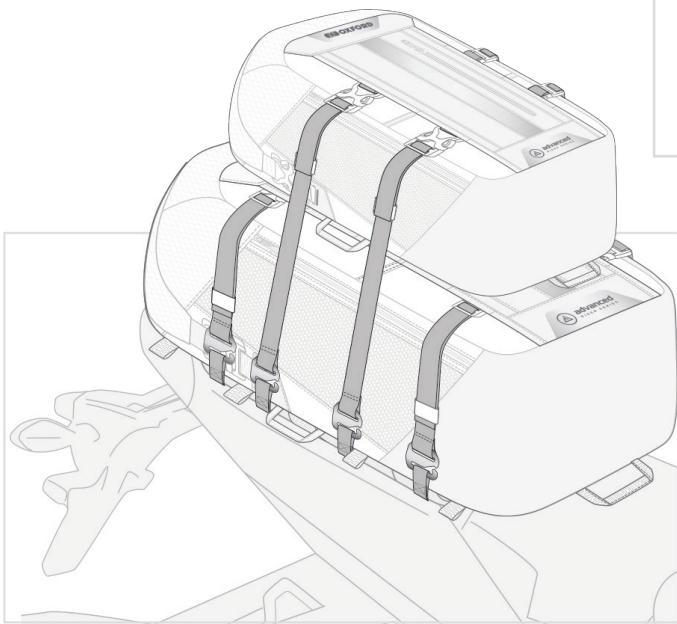
- 4** Connect the 4 x G-Hook Connection Straps (**C**) to the 20mm Connector Loops (**A**) fitted to the bike. Tighten the G-Hook Connection Straps to fit using the Velcro adjuster to reduce or increase the adjuster length.



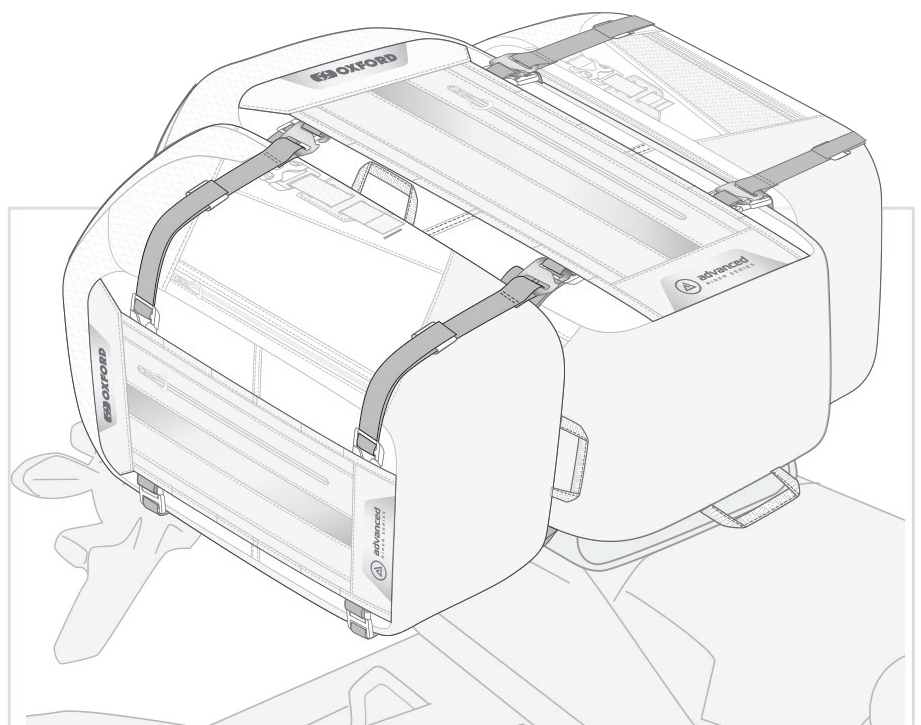
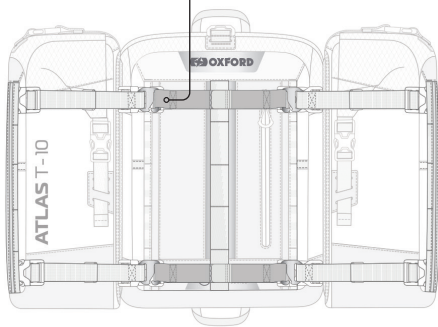
**5** Multiple packs can be attached together by adding additional Connector G-Hook Loops (A) on the motorcycle frame



**6** Atlas packs can be stacked together using G-Hook connection straps (C) on the 25mm Central Connection Straps (B). Hook these onto additional 20mm Connector G-Hook Loops (A) which are attached to the motorcycle frame



Atlas packs can also be connected together using 25mm Central Connection Strap G-Hook loops (B) and the Atlas luggage base G-Hook loops.





# ATLAS

[oxfordluggage.com](http://oxfordluggage.com)